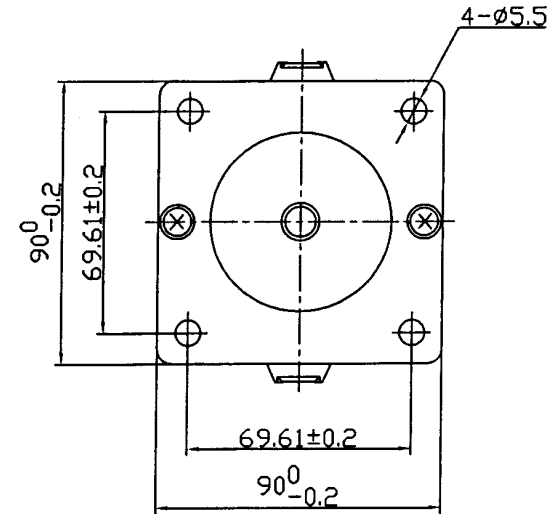
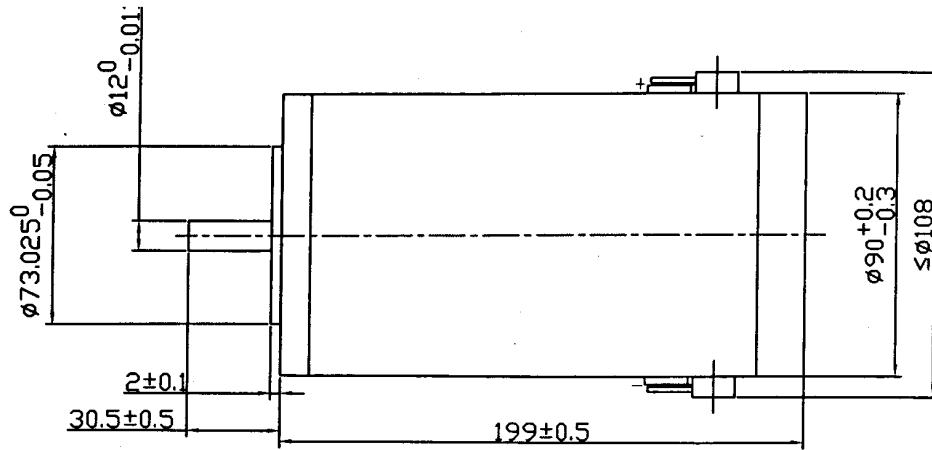


90-199 Series



Model	90-199 Series			
	12	24	36	48
Voltage	12	24	36	48
No Load Speed (r/ min)	2000± 10%	2000±10%	2000±10%	2000±10%
No Load Current (A)	<2.6	<1	<0.8	<0.6
Continuous Torque (N.m)	1.2	1.6	1.6	1.6
Continuous Speed (r/min)	1500± 10%	1500± 10%	1550 ±10%	1600± 10%
Continuous Current (A)	<23	<16	<11	<9
Peak Torque (N.m)	4.8	6.4	7.0	8.0
Peak Current (A)	<84	<61	<46	<43
Inertia (Kg. Cm ²)	2.60	2.60	2.60	2.60
Torque Constant (N.m/A)	0.059	0.107	0.157	0.190
Armature Resistance (Ω)	0.143	0.393	0.780	1.13
Back EMF (V/Krpm)	6	12	18	24
Power (w)	190	250	260	270
Weight (Kg)	4.6	4.6	4.6	4.6