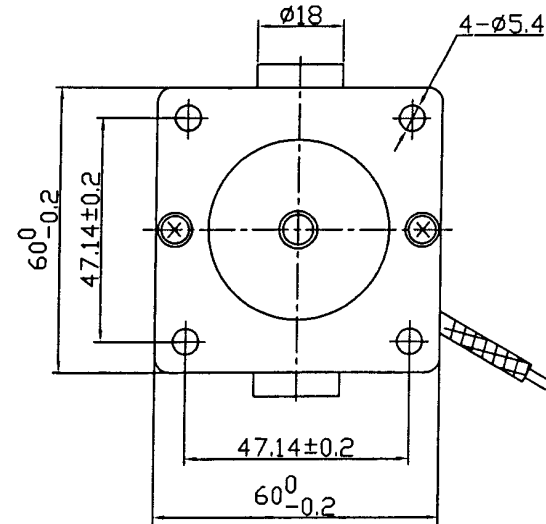
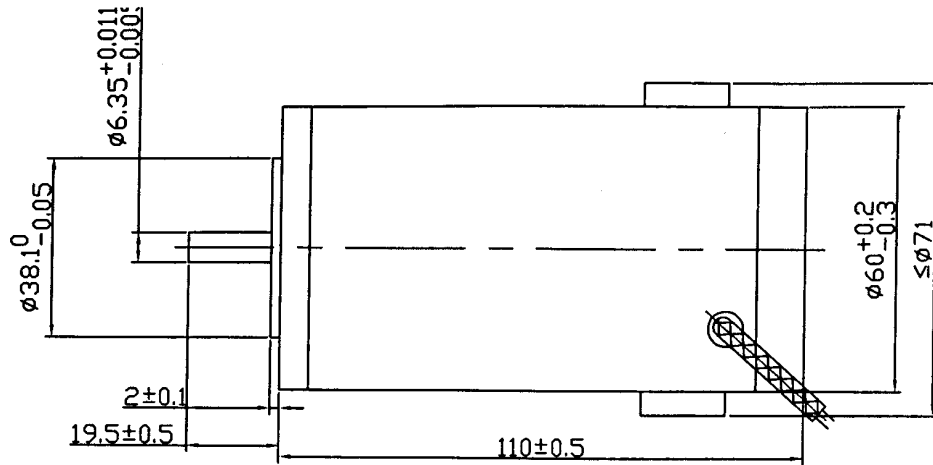


60 Series



Model	60 Series			
	12	24	36	48
Voltage (V)	12	24	36	48
No Load Speed (r/min)	4000±10%	4000±10%	4000±10%	4000±10%
No Load Current (A)	<0.7	<0.4	<0.3	<0.2
Continuous Torque (N.m)	0.3	0.3	0.3	0.3
Continuous Speed (r/min)	3500±10%	3200±10%	3300±10%	3400±10%
Continuous Current (A)	<8	<6	<4.5	<3.5
Peak Torque (N.m)	1.2	1.5	1.6	1.7
Peak Current (A)	<44	<28	<19	<15
Inertia (Kg.cm ²)	0.22	0.22	0.22	0.22
Torque Constant (N.m/A)	0.027	0.052	0.071	0.084
Armature Resistance (Ω)	0.2	0.8	1.7	2.9
Back EMF (V/K rpm)	3	6	9	12
Power (w)	75	100	100	100
Weight (Kg)	1.1	1.1	1.1	1.1